

SNAP-IN PANEL MOUNTING, ATTRACTIVE & RUGGED FOR WET & DUSTY ENVIRONMENTS

Sealed to IP68S, the K3P series of panel plugs with LED indicator lights provides reliable visual feedback to control operators. The K3P panel plugs and OTTO's K3 rocker switches share the same panel cutout size and snap-in front panel mounting method. This allows you to create a uniform panel appearance in your applications. Choose up to 70 different standard legends, 6 lens colors, 5 legend colors and 3 LED colors with 4 voltage options.



Standard Characteristics/Ratings:	
Seal:	IP68S
Operating Temp Range:	-40°C to +85°C
MATERIALS:	
Case and Base:	Black Thermoplastic
Button:	Black Thermoplastic
Terminals:	Brass

K3P PART NUMBER CODE

K3P	-	X	X	X	X	X
Light Source Position "A"		Light Source Position "C"		Lens Color Position "A"		Lens Color Position "C"
1. Red 2. Green 3. Amber 4. Not Used 5. Not Used Z. No Illumination		1. Red 2. Green 3. Amber 4. Not Used 5. Not Used Z. No Illumination		1. Transparent Red 2. Transparent Green 3. Transparent Amber 4. Clear 5. Transparent White 6. Transparent Blue Z. No Lens		1. Transparent Red 2. Transparent Green 3. Transparent Amber 4. Clear 5. Transparent White 6. Transparent Blue Z. No Lens
						LED DC Voltage
						1. 2V 2. 6V 3. 12V 4. 24V

STOP HERE for lighted indicator without legends.

For legends, continue with part number code below.

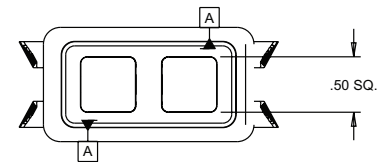
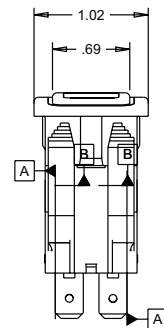
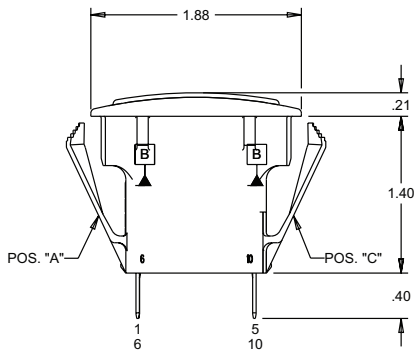
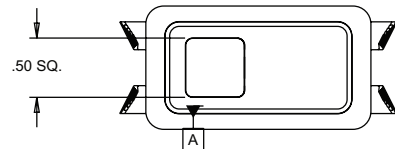
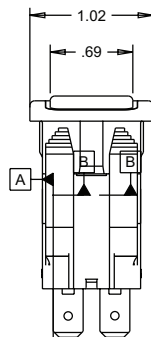
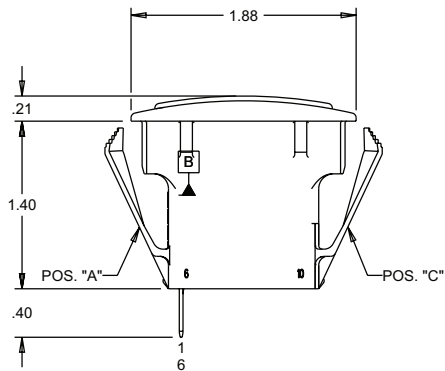
K3P PART NUMBER CODE - CONTINUED FOR LIGHTED INDICATORS WITH LEGENDS

-	XX	XX	X	X	X		
	Legend Style		Legend Color		Legend Orientation		
	Position "A" ZZ. No Legend	Position "C" ZZ. No Legend	Position "A" 1. Red 2. Black 9. White B. Backlight/ Daylight White ① D. Backlight/ Deadfront ① Z. No Legend	Position "C" 1. Red 2. Black 9. White B. Backlight/ Daylight White ① D. Backlight/ Deadfront ① Z. No Legend	Position "A" Position "C"		
	NOTE: For all other legend options, refer to the legend table on page 180, find the two digit code and enter the code in the appropriate position(s).		① Legend colors "B" and "D" use lens color "Z" for each position.		1. Std. <table border="1"><tr><td>A</td><td>C</td></tr></table>	A	C
A	C						
					2. 90° <table border="1"><tr><td>A</td><td>C</td></tr></table>	A	C
A	C						
					3. 180° <table border="1"><tr><td>A</td><td>C</td></tr></table>	A	C
A	C						
					4. 270° <table border="1"><tr><td>A</td><td>C</td></tr></table>	A	C
A	C						

ILLUMINATED PANEL PLUG INDICATORS

K3P
PANEL PLUG
INDICATORS

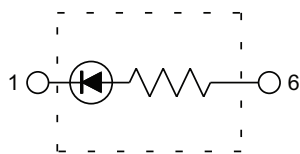
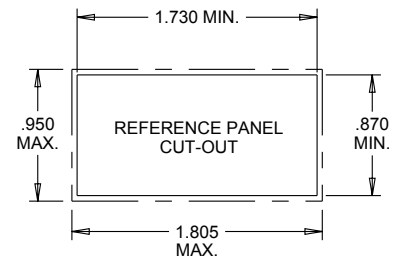
SNAP-IN PANEL MOUNTING, ATTRACTIVE & RUGGED FOR WET & DUSTY ENVIRONMENTS



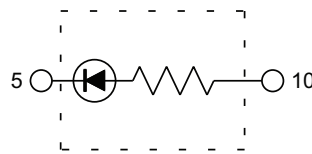
MOUNTING OPENING:
PANEL THICKNESS RANGE OF .025 - .105 PANEL SEAL
GASKET P/N 807037 IS RECOMMENDED

PANEL THICKNESS RANGE OF .105 - .187 W/O GASKET

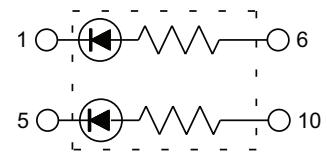
PANEL OPENING:	MIN.	TYP.	MAX.
WIDTH	.870	.937	.950
LENGTH	1.730	1.768	1.805



IND. LIGHT IN "A"
SCHEMATIC



IND. LIGHT IN "C"
SCHEMATIC



DUAL IND. LIGHT
SCHEMATIC

SNAP-IN PANEL MOUNTING

Standard Legends Per SAE Specifications

STANDARD LEGENDS PER SAE SPECIFICATIONS								
A1		ANCHOR	K2		UNLOCK	P5		BILGE BLOWER
B1		BATTERY	L1		LIGHT	R1		LIFT
B2		ELECTRIC POWER	L2		MASTER LIGHTING SWITCH	R2		LOWER
C1		AC/COOLING SYSTEMS	L3		HEADLIGHTS	R3		UP
C2		DEHUMIDIFIER	L4		HEADLIGHTS-LOW / DIPPED BEAM	R4		DOWN
C3		HEATER/INTERIOR HEATING	L5		HEADLIGHTS-HIGH / UPPER BEAM	R5		RIGHT
D1		WINDSHIELD DEFROSTER	L6		PARKING LIGHT	R6		LEFT
D2		REAR WINDOW DEFROSTER	L7		WORK LAMP	R7	FWD	FORWARD
D3		MIRROR DEFROSTER	L8		WORK LAMP	R8	REV	REVERSE
E1		ENGINE/START	L9		INTERIOR DOME LIGHT	S1		RADIO
E2		ENGINE/STOP	M1		BEACON	S2		MUTE
E3		ON/START	M2		HAZARD/POSITION LIGHTS	T1		FAST
E4	○	OFF/STOP	M3		CLEARANCE LIGHTS	T2		SLOW
E5	ON	ON	M4		SIDE MARKER LIGHT	T3		TRIM TAB / TRIMMING OPERATION
E6	OFF	OFF	M5		RUNNING LIGHTS (UNDER POWER)	T4		TRANSMISSION
E7		ENGINE ELECTRIC PREHEAT	M6		ANCHOR LIGHT	V1		VENTILATING / AC FAN
E8		ENGINE-GAS INJECTION	M7		RUNNING/ANCHOR LIGHTS	W1		WINDSHIELD WIPER
F1		FRONT FOG LIGHTS	M8		SEARCH LIGHT	W2		WINDSHIELD-WASHER
F2		REAR FOG LIGHTS	M9		LEFT TURN SIGNAL	W3		WINDSHIELD-WASHER/WIPER
G1		FUEL	MA		RIGHT TURN SIGNAL	W4		REAR WINDOW WIPER
H1		HORN	P1		BILGE PUMP #1	W5		REAR WINDOW-WASHER
H2		HORN REAR	P2		BILGE PUMP #2	W6		REAR WINDOW-WASHER/WIPER
K1		LOCK	P3		BILGE PUMP #3	ZZ		NO LEGEND
			P4		BILGE PUMP			

For legends not shown, please consult an OTTO representative.